

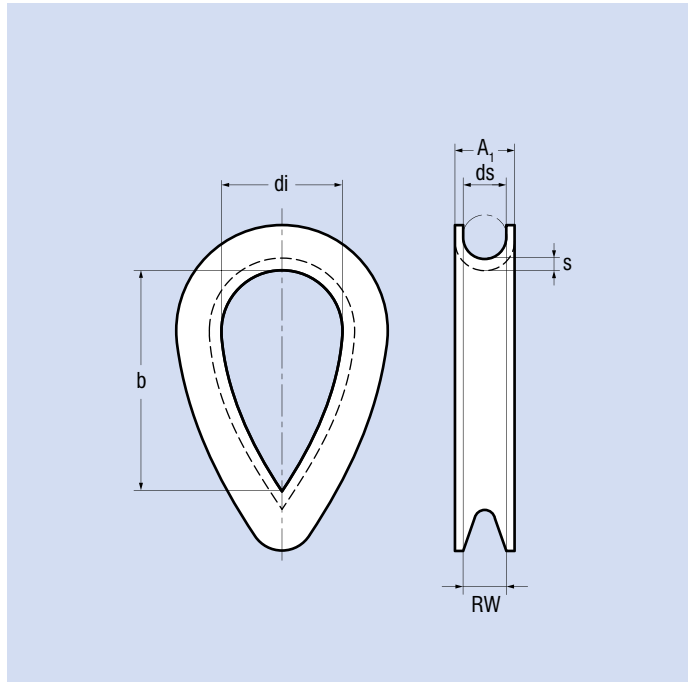


**Technical data**

Material steel  
Surface zinc-plated

**Application area**

Round strand rope pressed acc. to EN 13411-3



Don't use non-rotation resistant and rotation resistant ropes with a turnable fixed point (e. g. swivel). The end termination has to be fixed against rotation as well. If this is not observed considerable damage, serious injury or death will occur.

Reference no.	RW	ds	A <sub>1</sub>	A <sub>1</sub> Tol	b	di	s	Weight
	mm	mm	mm	mm	mm	mm	mm	kg
111388	4	3 – 4	8	±0,5	20	10	2,1	0,01
111389	6	4 – 6	10	±0,5	30	15	2,6	0,03
111390	8	6 – 8	13	±0,6	40	20	4	0,08
111391	10	8 – 10	15	±0,6	50	25	5	0,16
111392	12	10 – 12	19	±0,6	60	30	6	0,24
111393	14	12 – 14	22	±1	70	35	7	0,34
111394	16	14 – 16	25	±1	80	40	8	0,48
111395	18	16 – 18	27	±1	90	45	9	0,65
111396	20	18 – 20	30	±1,5	100	50	10	0,95
111397	22	20 – 22	33	±1,5	110	55	10	1,08
111398	24	22 – 24	35	±1,5	120	60	11	1,32
111399	26	24 – 26	45	±1,5	130	65	12	2,18
111400	28	26 – 28	48	±2	140	70	12	2,6
111401	32	28 – 32	50	±2	160	80	14	3,71
111402	36	32 – 36	55	±2	180	90	16	4,35
111403	40	36 – 40	60	±2	200	100	18	7,82
111405	44	40 – 44	68	±2	220	110	20	9,48
111407	48	44 – 48	72	±2	240	120	22	11,65
111408	52	48 – 52	80	±3	260	130	25	16,17
168840	56	52 – 56	83	±3	280	140	25	16,2

WLL = maximum payload

Safety factor = 3,0

Dimensions correspond to nominal sizes without tolerance and without coating. Please contact us for exact measurements!

